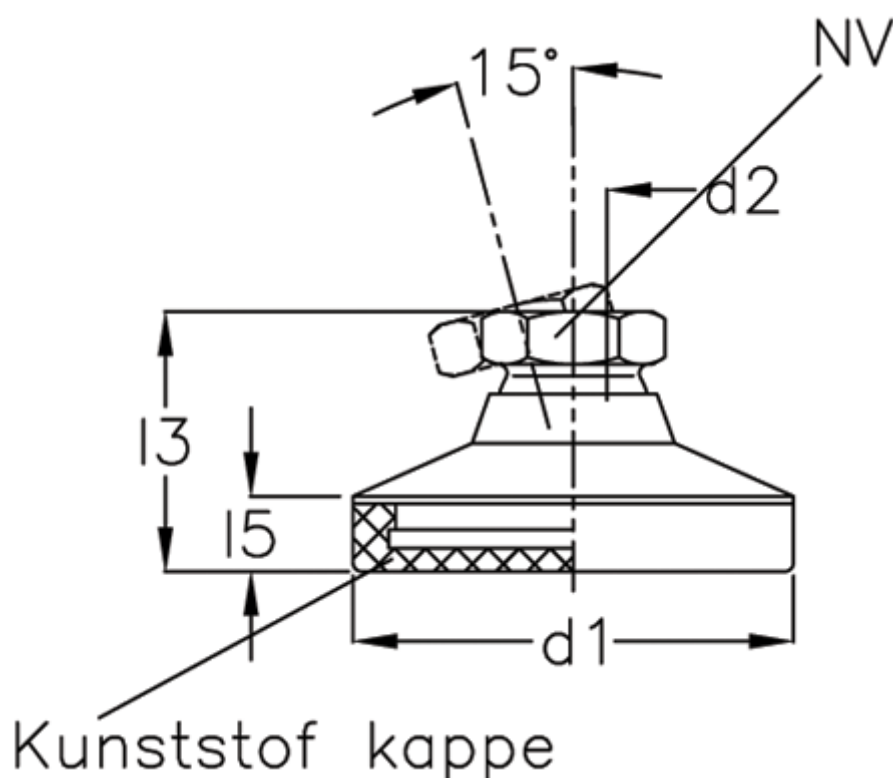


Article number: 20343540M10KRE  
Description: E+G levelling foot  
GN 343.5-40-M10-KRE

## Measures



d1	= 40
d2	= 10
l3	= 27.5
l5	= 7.5
NV	= 15
Static load (N)	= 20
t min	= 10.5